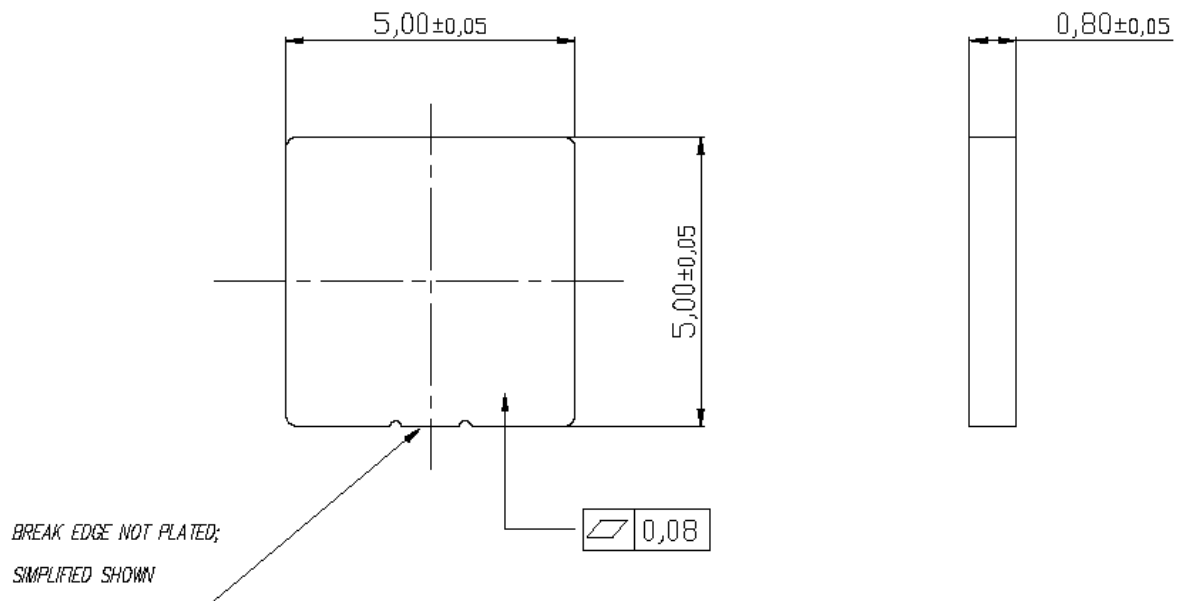


PP pad

PART #: DPP-A3120-A00

KEY FEATURES

- 5.00 L x 5.00W x 0.80H mm
- C5191-H
- 2-5um Ag



PWB PROPOSAL

