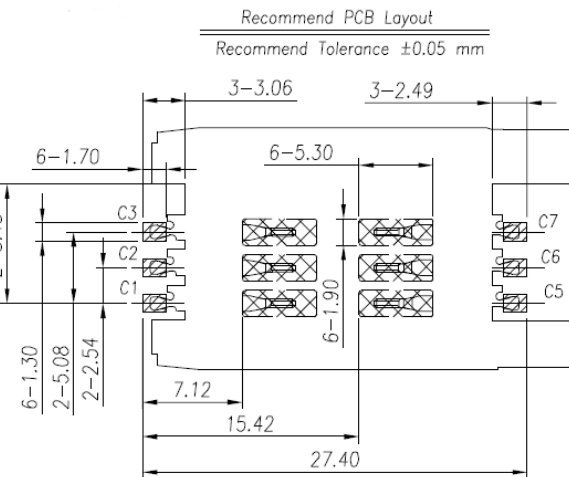
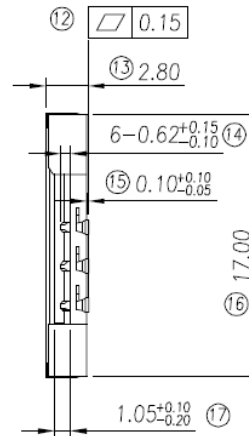
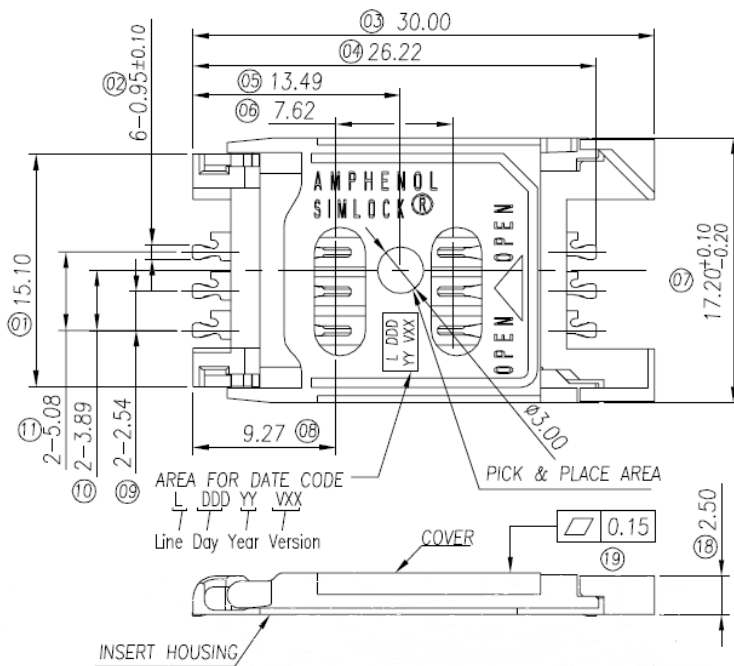


# Card reader

PART #: SMB-A1150-A00

## KEY FEATURES

- 30.00Lx17.20Wx2.80H mm
- With detect switch
- Hinge type
- Contact position acc. To GSM



- solder area
- connector outline  
Recommend Stencil Thickness: 0.15
- No tracks on the pcb in this area allowed

