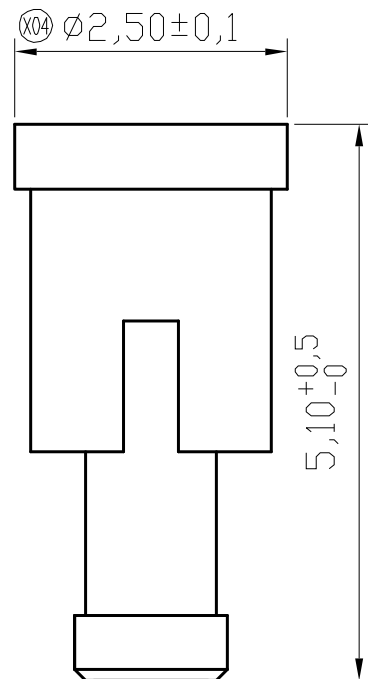
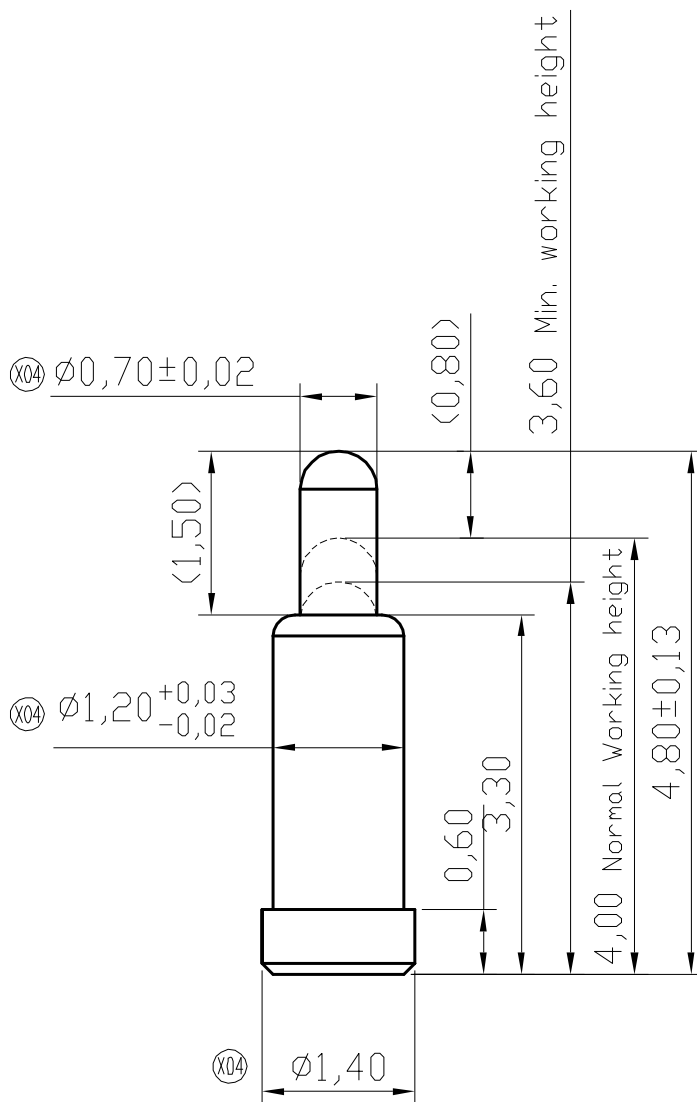


Pogo

PART #: C710 F01040 048 2

KEY FEATURES

- 1.4 \varnothing x 4.8H mm
- Au plating Pogo
- SMT Type
- Spring force 60gf
- Durability:10000 cycles



POGO PIN WITH CAP