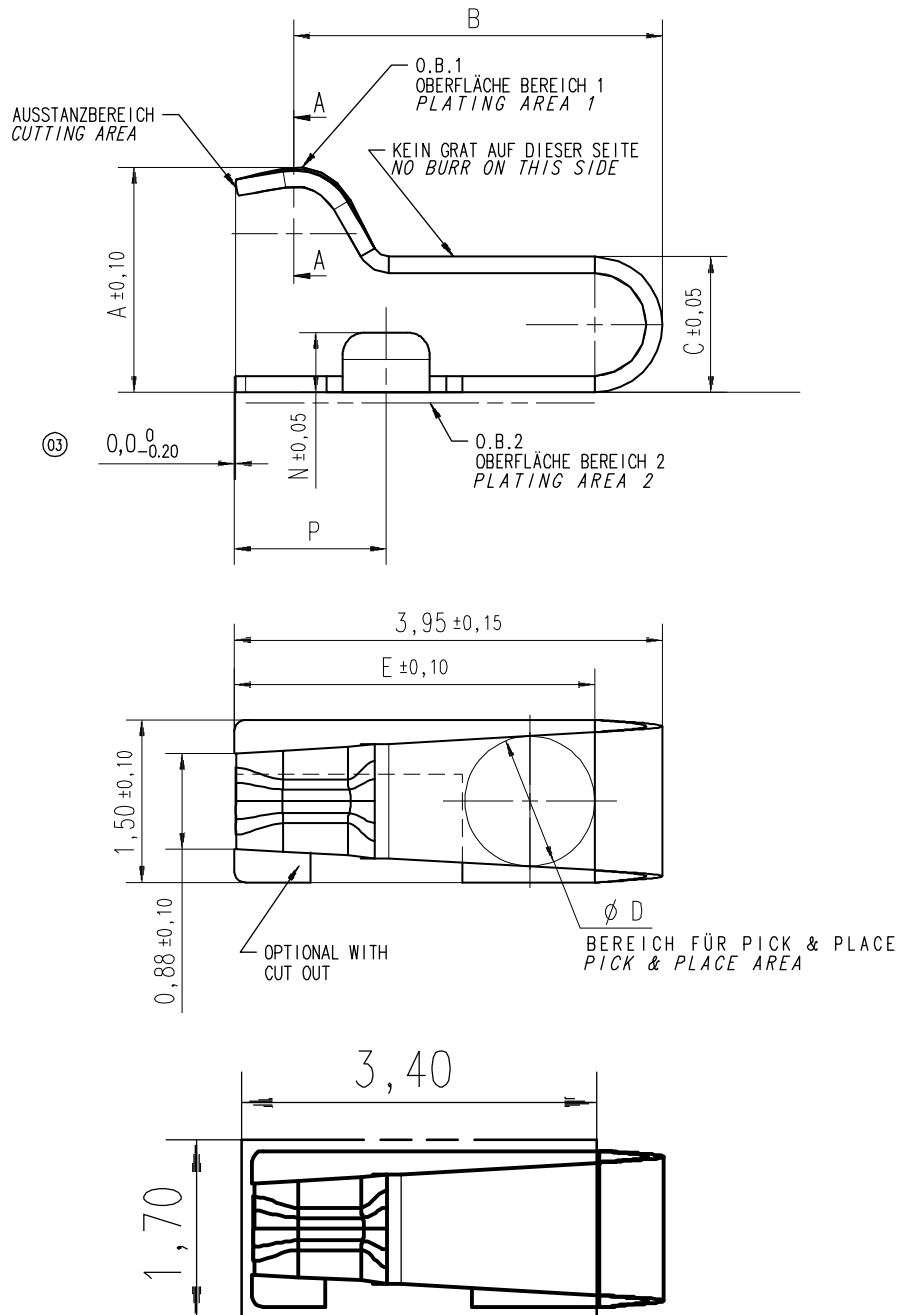


Clip

PART #: C504 10M006 004 3 U

KEY FEATURES

- 3.95L x 1.50W x 1.52H mm
- Forward contact
- Side protected



1 70