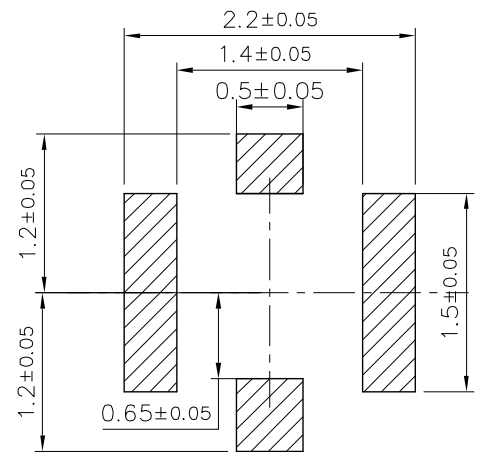
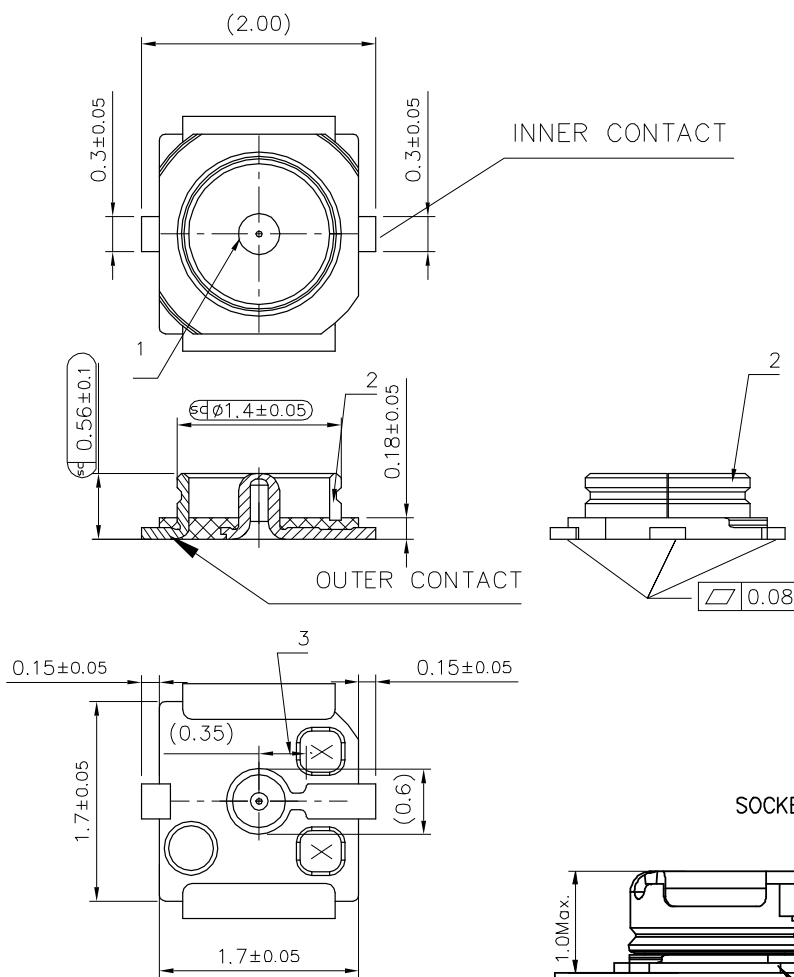
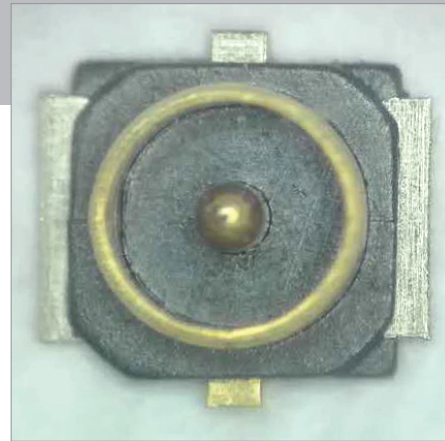


# RF Cable

PART #: 653-27000-1000

## KEY FEATURES

- Frequency: 0-6GHz
- VSWR: 1.4 MAX@(0-6GHz)
- Mating height: 1.00mm Max
- Interface: compatible with Hirose spec



RECOMMENDED PCB LAYOUT