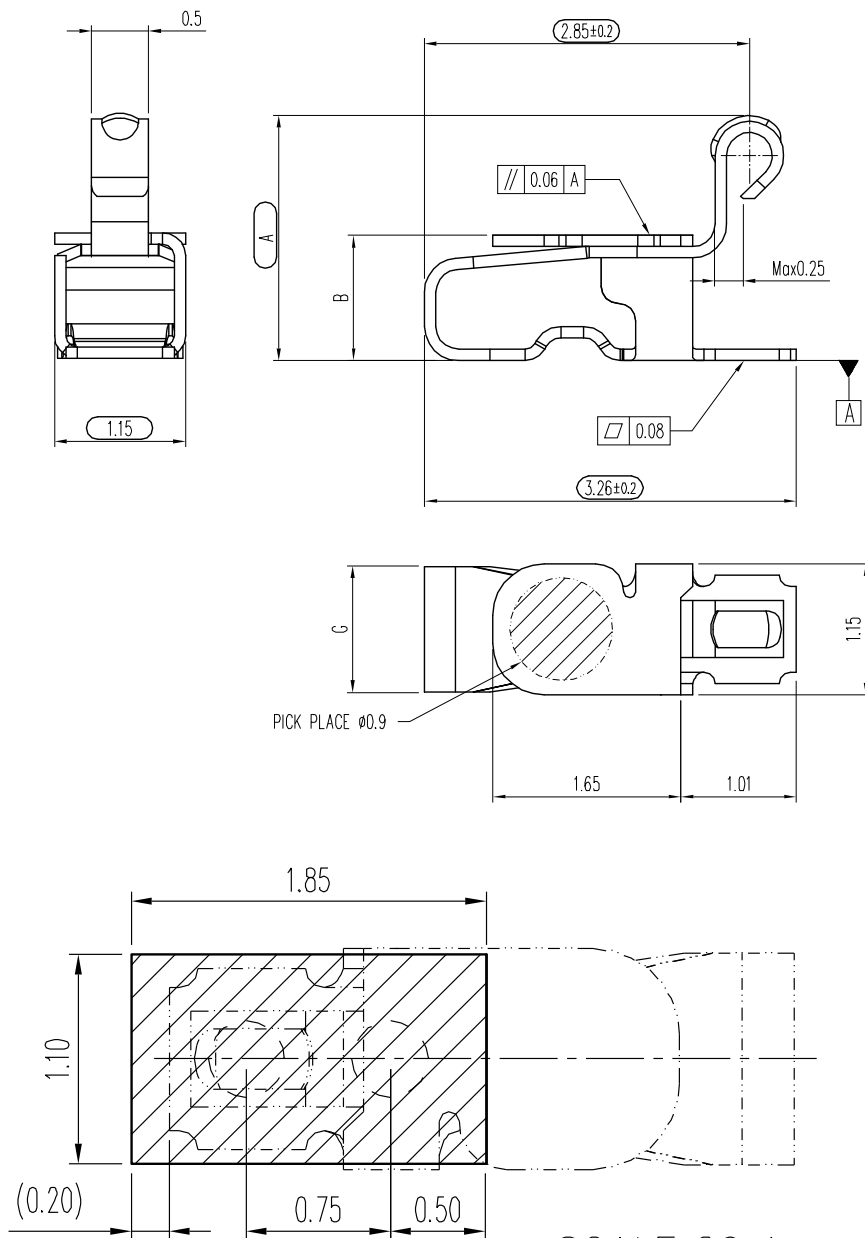
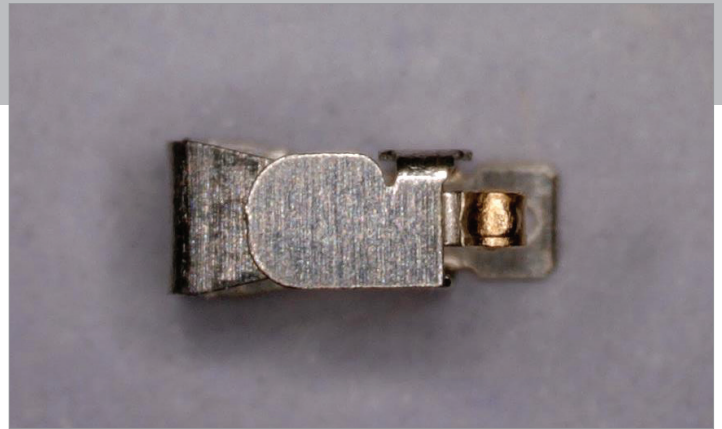


# Clip

PART #: SJ 2011 00054 101

## KEY FEATURES

- 3.26L x 1.15W x 3.00H mm
- Forward contact
- Side protected



SCALE 20:1